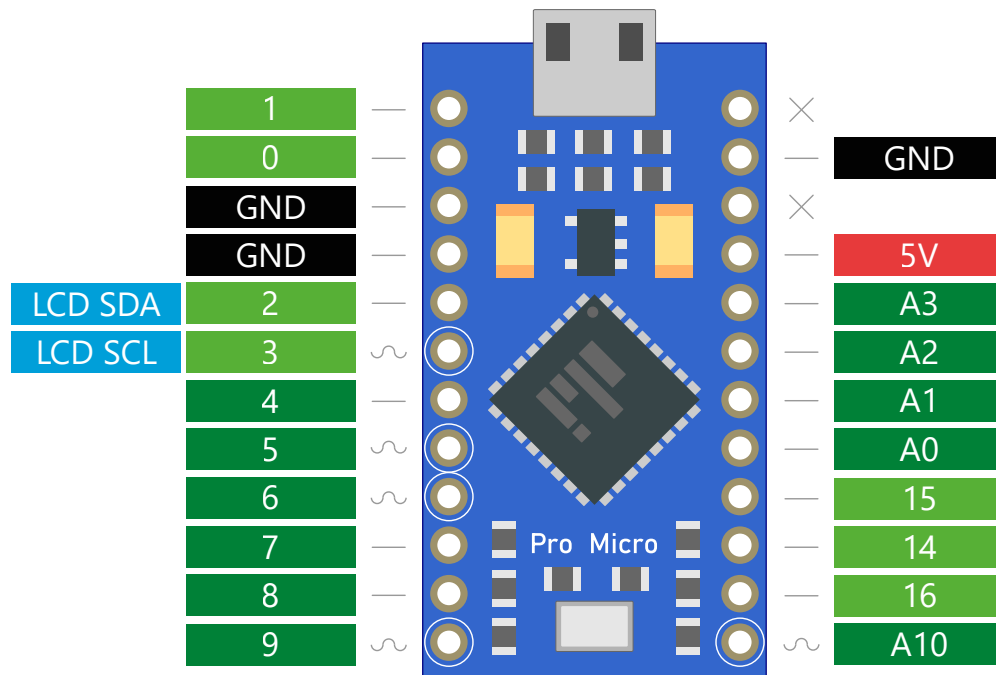




# Simplified SparkFun Pro Micro pinout for MobiFlight



- Power
- Ground
- Input / Output pin
- Analog pin
- LCD display pins
- PWM capable pin
- Pin is not used in MobiFlight

Some of the Pro Micro pins are not in numerical order, so pay attention when wiring and configuring devices!